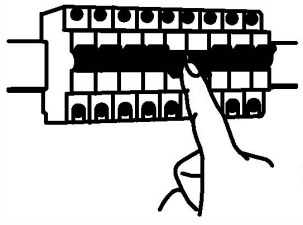
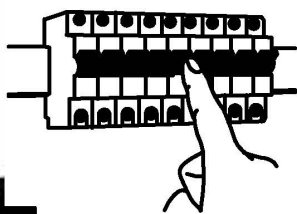
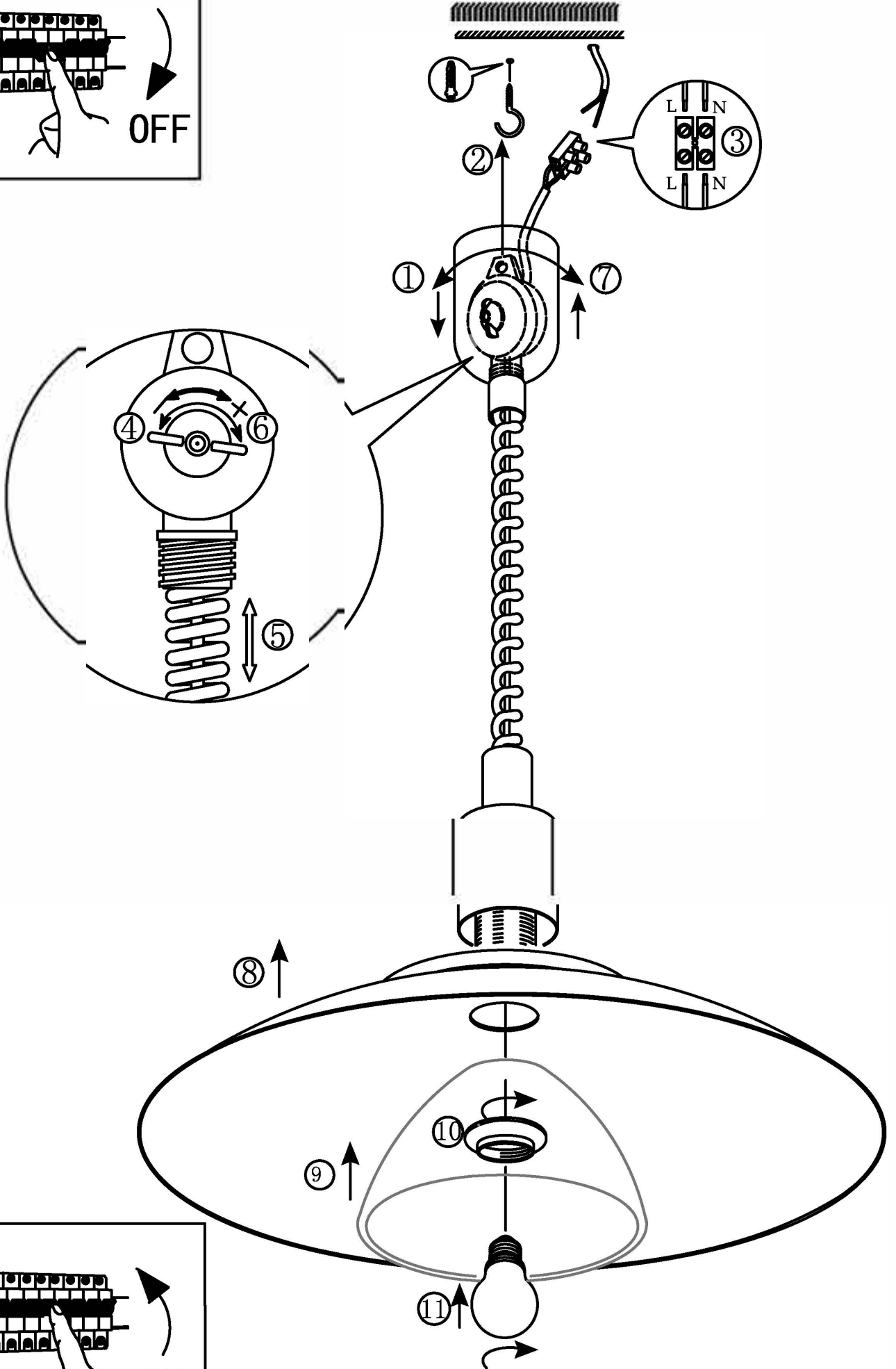


A



OFF

B



ON